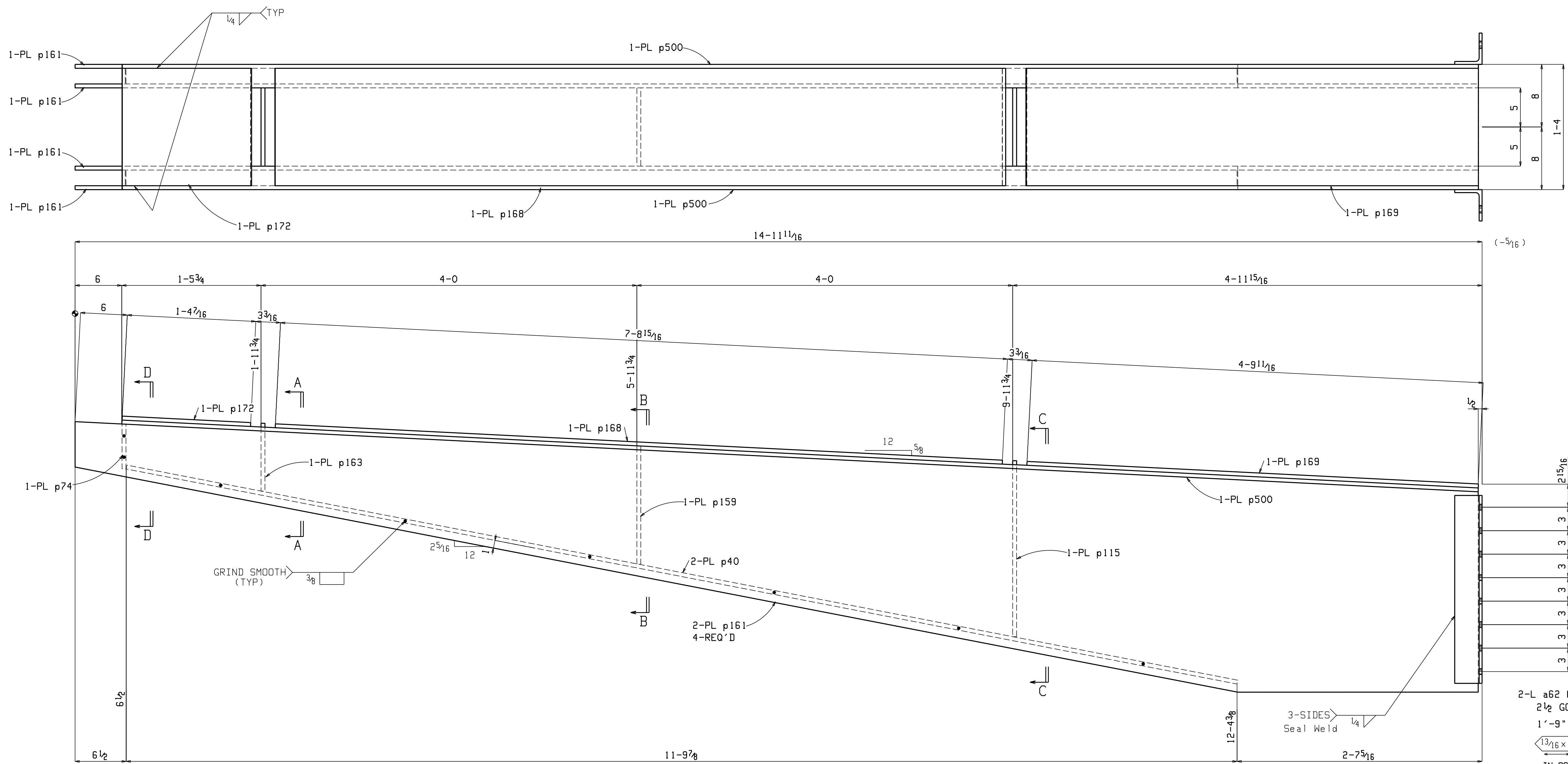
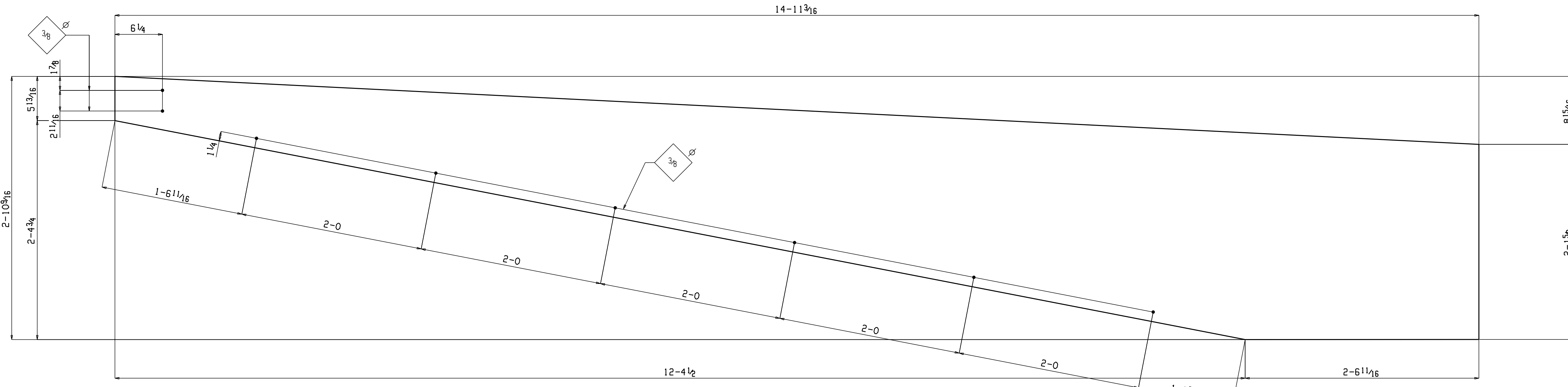
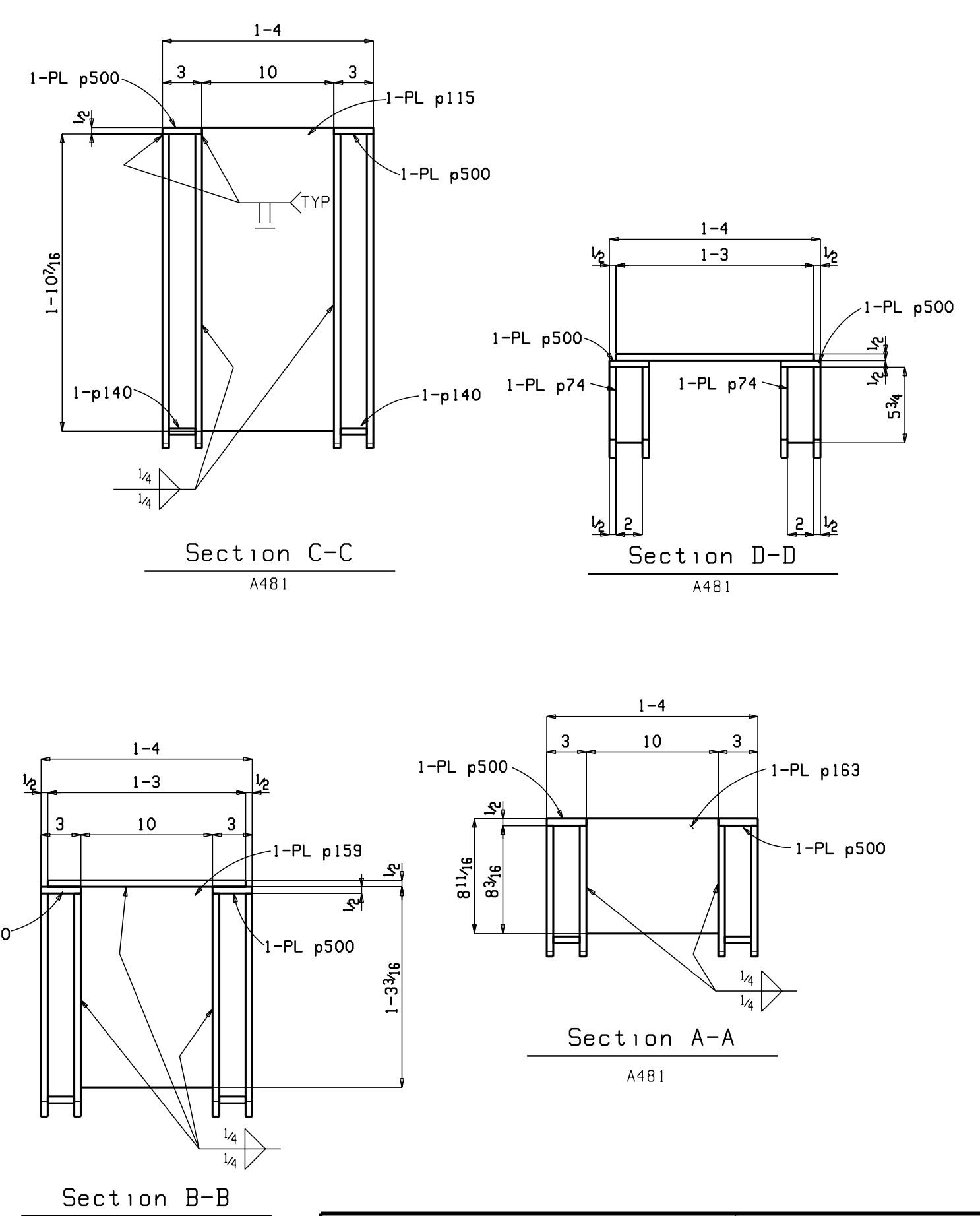


BILL OF MATERIAL

Mark	Quantity	Description	Length	Steel	Remarks	Sequence	Sequence
						Numbers	Quantity
A481	2	CANT. BEAM				12	2
a62	2	L4x3 $\frac{1}{2}$ x $\frac{3}{8}$	2 0	A36			
p161	8	PL $\frac{1}{2}$ x34 $\frac{3}{16}$	14 11 $\frac{3}{16}$	A36			
p168	2	PL $\frac{1}{2}$ x15	7 8 $\frac{15}{16}$	A36			
p169	2	PL $\frac{1}{2}$ x15	4 9 $\frac{11}{16}$	A36			
p172	2	PL $\frac{1}{2}$ x15	1 4 $\frac{7}{16}$	A36			
p115	2	PL $\frac{1}{2}$ x10	1 10 $\frac{7}{16}$	A36			
p159	2	PL $\frac{1}{2}$ x10	1 3 $\frac{11}{16}$	A36			
p163	2	PL $\frac{1}{2}$ x8 $\frac{11}{16}$	0 10	A36			
p40	4	PL $\frac{1}{2}$ x2	12 0 $\frac{1}{2}$	A36			
p74	4	PL $\frac{1}{2}$ x2	0 5 $\frac{3}{4}$	A36			
p500	4	PL $\frac{1}{2}$ x3	14 5 $\frac{7}{16}$	A36			
FIELD BOLTS							
	16	TC $\frac{3}{4}$ Dia A325N	0 2 $\frac{1}{4}$		2HD WASH		



2 CANT. BEAMS A481



DETAIL OF PLATE p161

SHOP PLACE PIECE MARK ON LEFT HAND END OF MEMBER. ERECT MEMBER WITH PIECE MARK TO END SHOWN ON PLACEMENT PLAN

DATE	REV	DESCRIPTION

MATERIAL	ASTM A36 U.O.N.	HOLES	13 16 Ø
SURFACE PREP	SSPC-SP-3		
SHOP FINISH	GALV		
SUBJECT	BEAMS @ SEQ. 12		
PROJECT	UNIVERSITY OF ILLINOIS AT URBANA-CHAMPAIGN		
LOCATION	UNIVERSITY OF ILLINOIS AT URBANA-CHAMPAIGN		
CUSTOMER			
DESIGNED BY			
DESIGN/ERECTION DWG REF	S-122, E7		
DRAWN BY	DATE	CHECKED BY	DATE
TRJ	5-2-04	JFS	7-8-04
Job No.	1539	Sheet No.	481