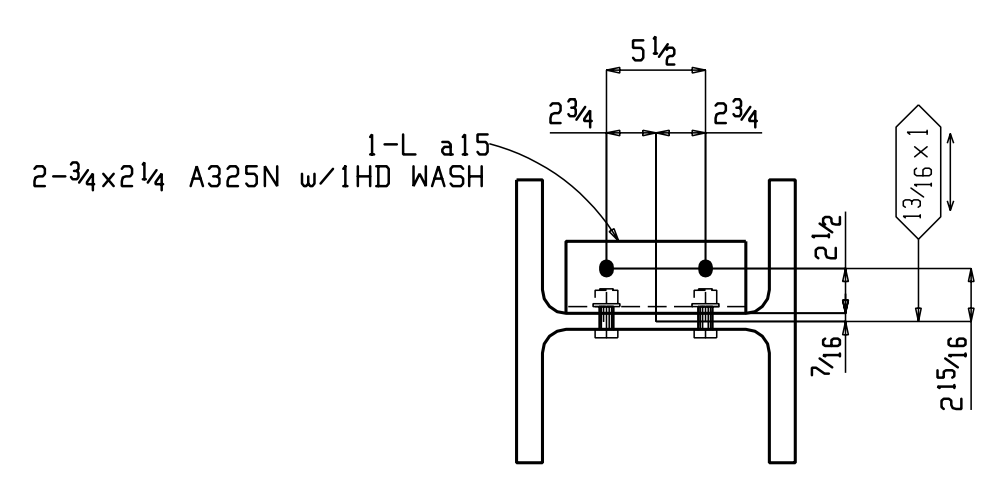
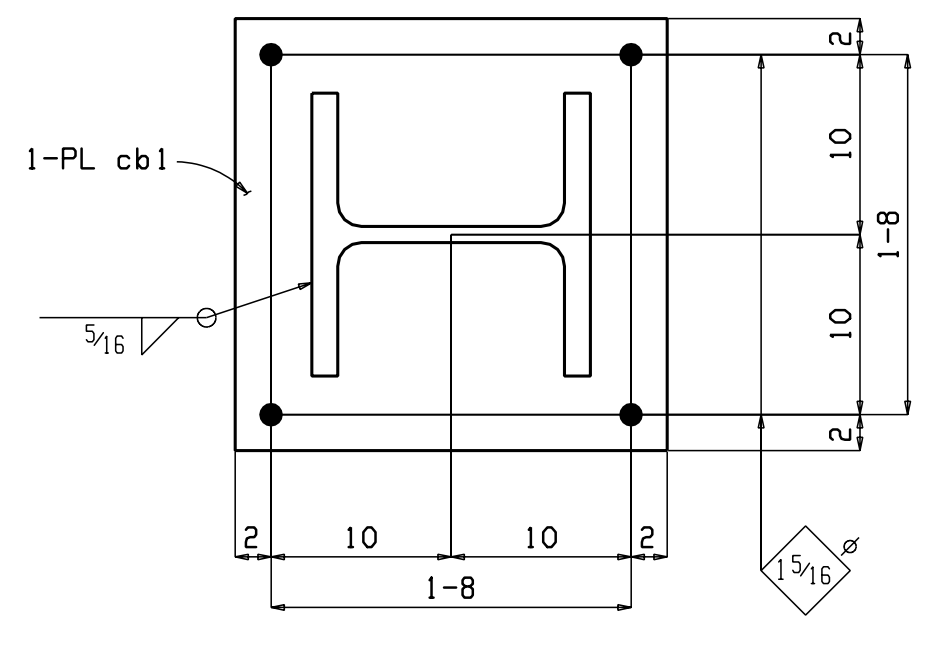


Section B-B
A157



Section A-A
A157



ONE COLUMN A157

W 15 1/2 x 7 8 (B-6)
F 15 1/16 x 1 7/16

BILL OF MATERIAL

Mark	Quantity	Description	Length	Steel Grade	Remarks	Sequence Numbers	Quantity
A157	ONE	COLUMN				1	1
w378	1	W14x193	37	A992	SEC		
a15	1	L4x4x3/8	0	A36			
c6	2	PL2x3 1/2	2	A572-50			
cb1	1	PL2x24	2	A36			
p288	4	PL1 1/8x7 1/2	1	A572-50			
	2	TC 3/4 Dia A325N	0		1HD WASH		
		FIELD BOLTS					
	8	TC 3/4 Dia A325SC	0		2HD WASH		

MATERIAL	ASTM A36 U.O.N.	HOLES	13/16
SURFACE PREP	SSPC-SP-3		
SHOP FINISH	TNEMIC 1009 GREY 2 MIL		

SUBJECT	COLUMNS @ SEQ 1		
PROJECT			
LOCATION	UNIVERSITY OF ILLINOIS AT URBANA-CHAMPAIGN		
CUSTOMER			
DESIGNED BY			
DESIGN/ERECTION DWG REF	S-111, E1		
DRAWN BY	DATE	CHECKED BY	DATE
TRJ	4-20-04	JFS	5-1-04
Job No.	1539	Sheet No.	157

SHOP PLACE PIECE MARK ON LEFT HAND END OF MEMBER. ERECT MEMBER WITH PIECE MARK TO END SHOWN ON PLACEMENT PLAN		
DATE	REV	DESCRIPTION