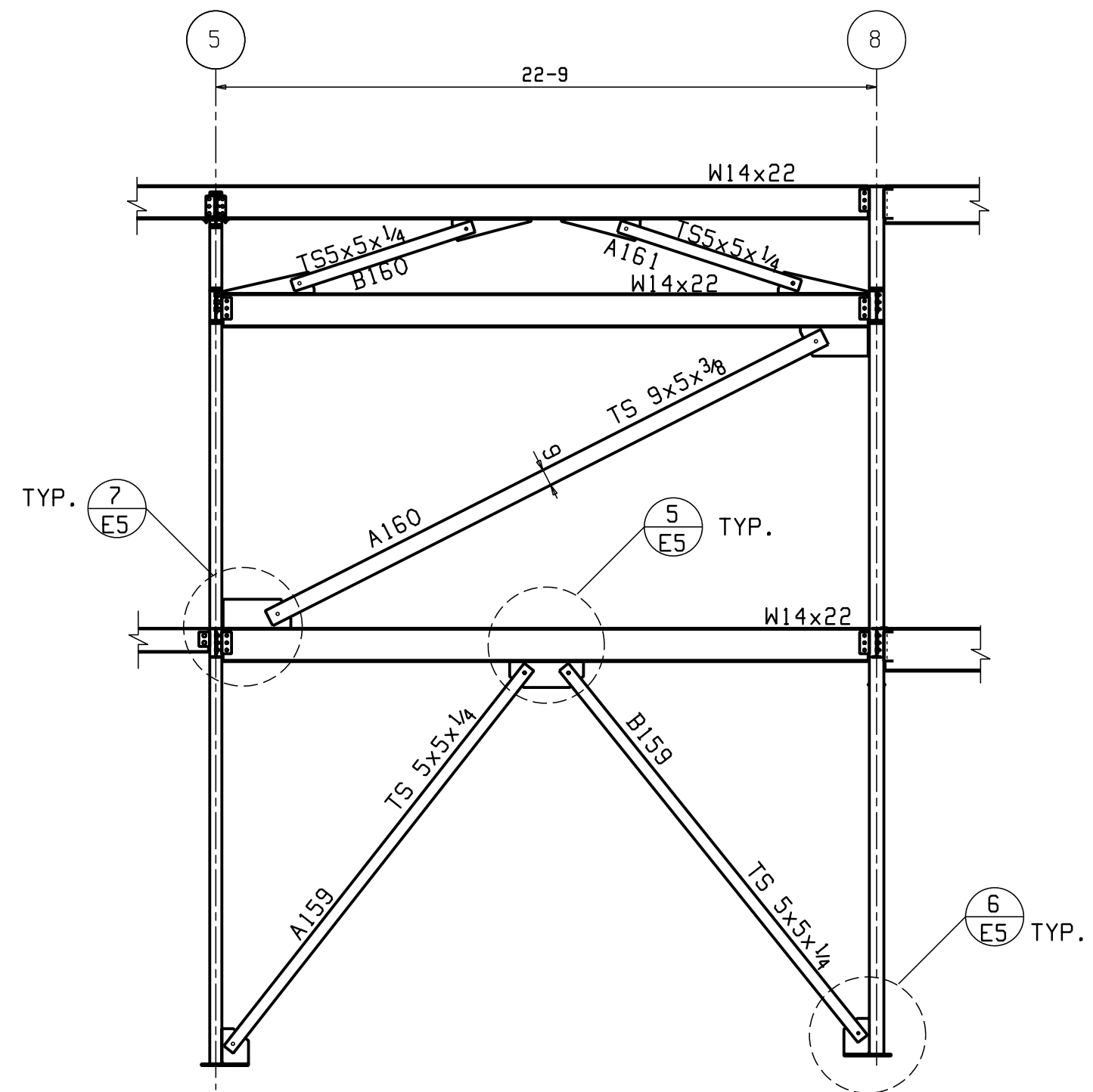
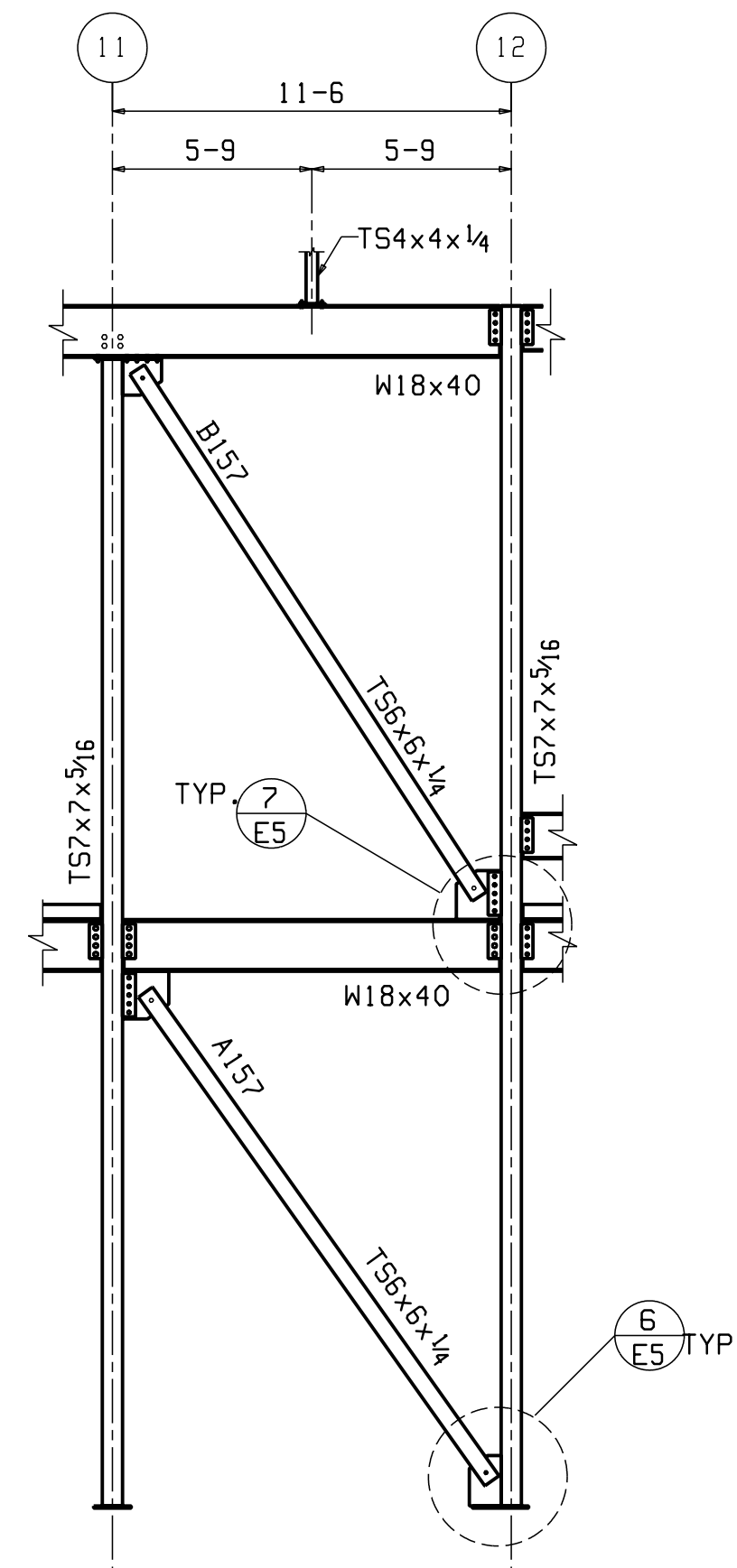


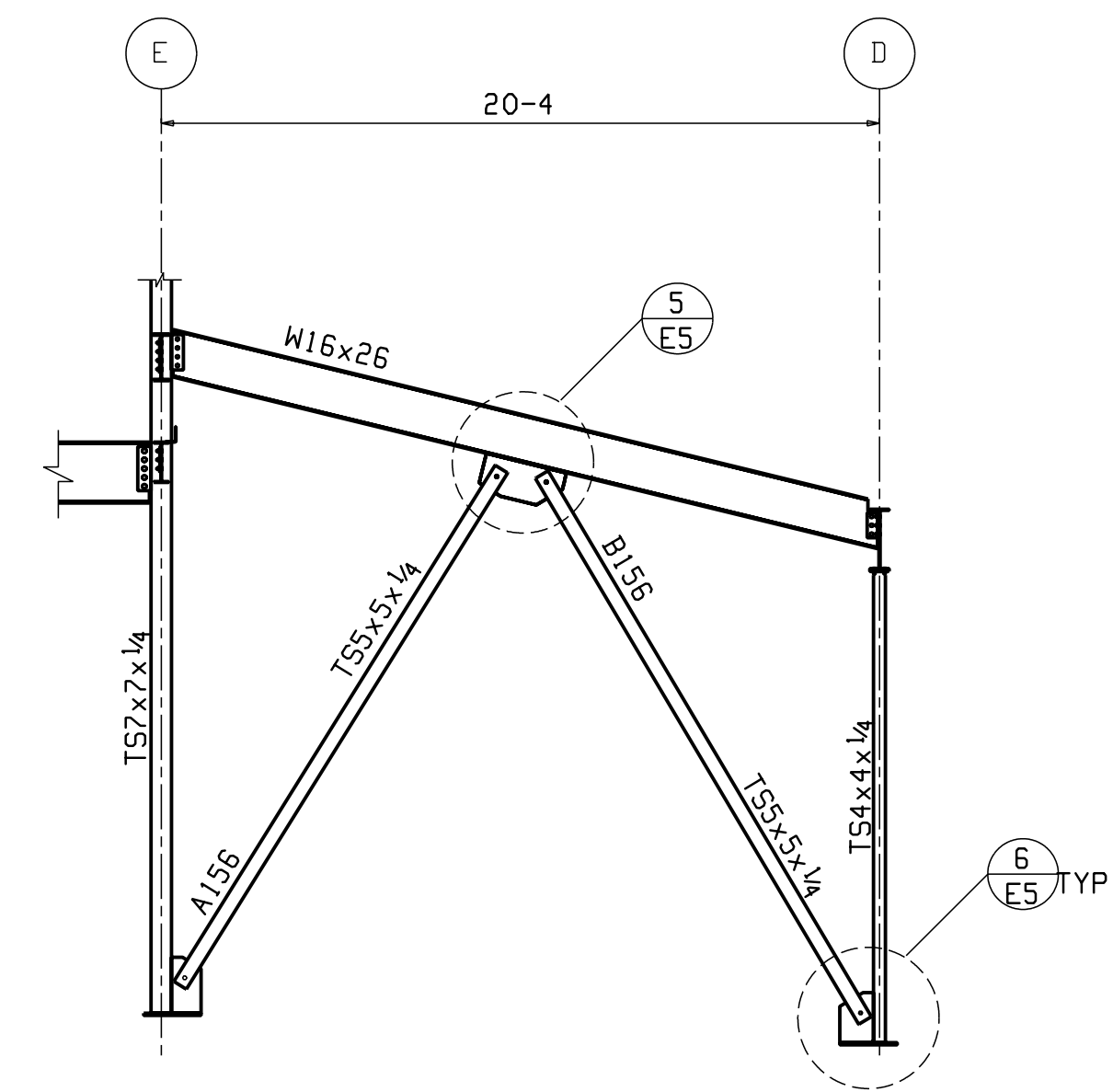
1  
E5  
BRACE ON GRID LINE L  
REF: 1/S1



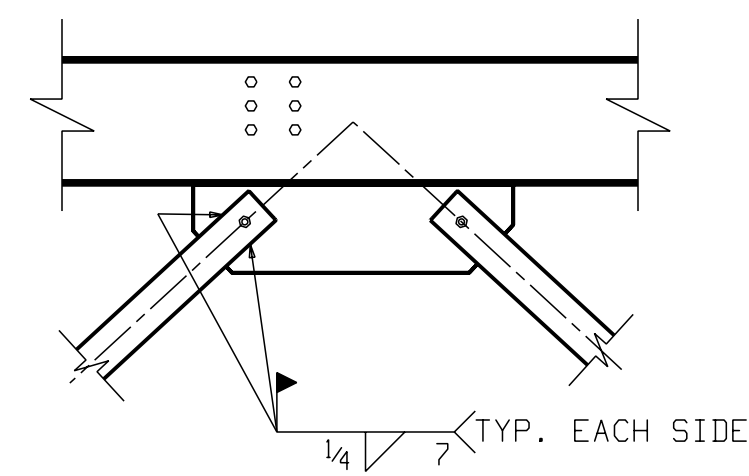
2  
E5  
BRACE ON GRID LINE N  
REF: 1/S1



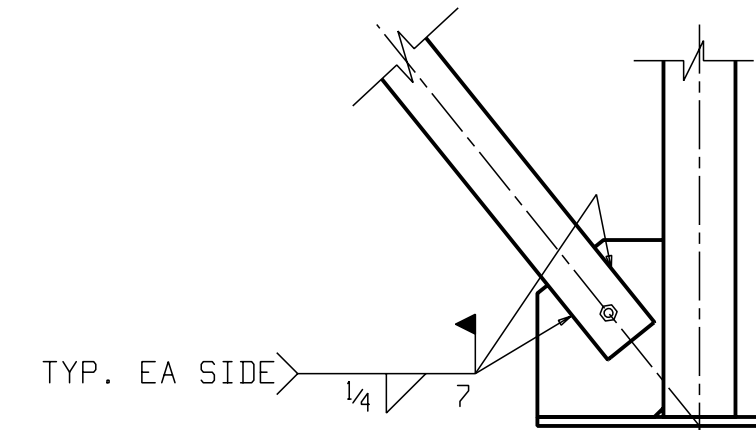
3  
E5  
BRACE ON GRID LINE E  
REF: 4/S1



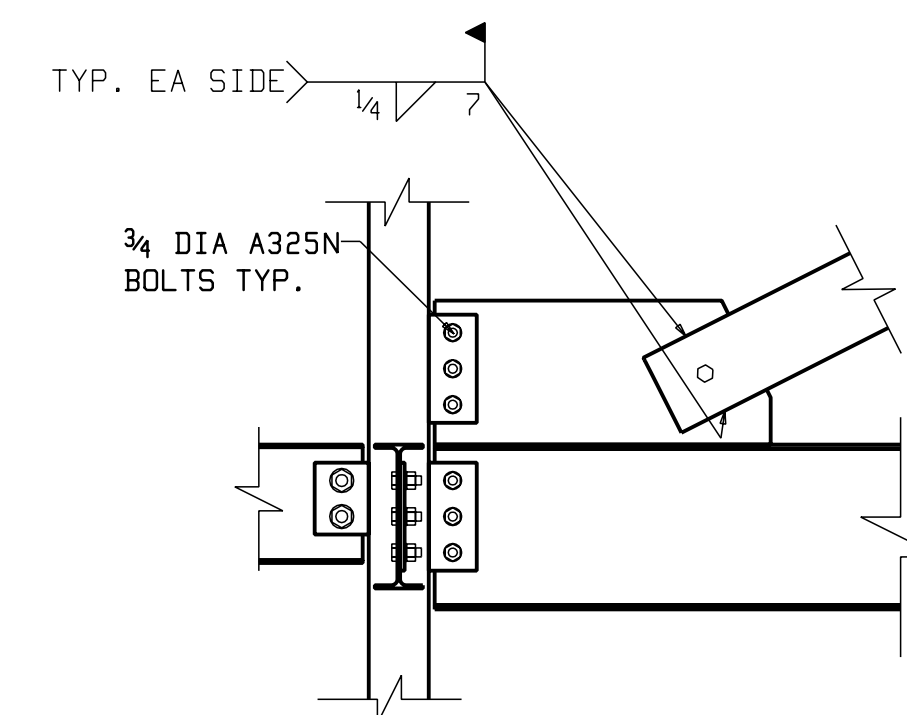
4  
E5  
BRACE ON GRID LINE 14  
REF: 2/S1



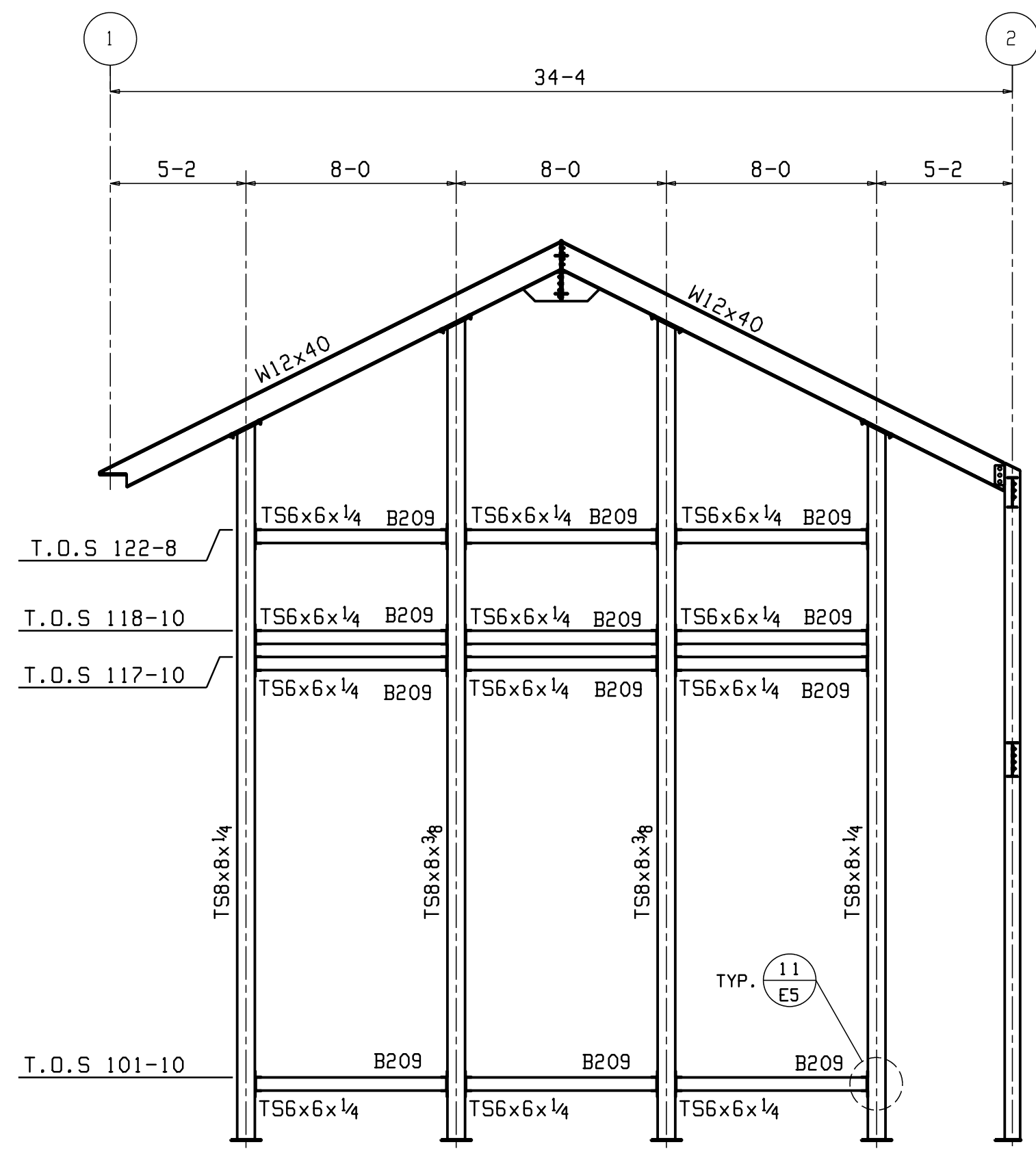
5  
E5  
TYP. SECTION  
REF: 3/S1



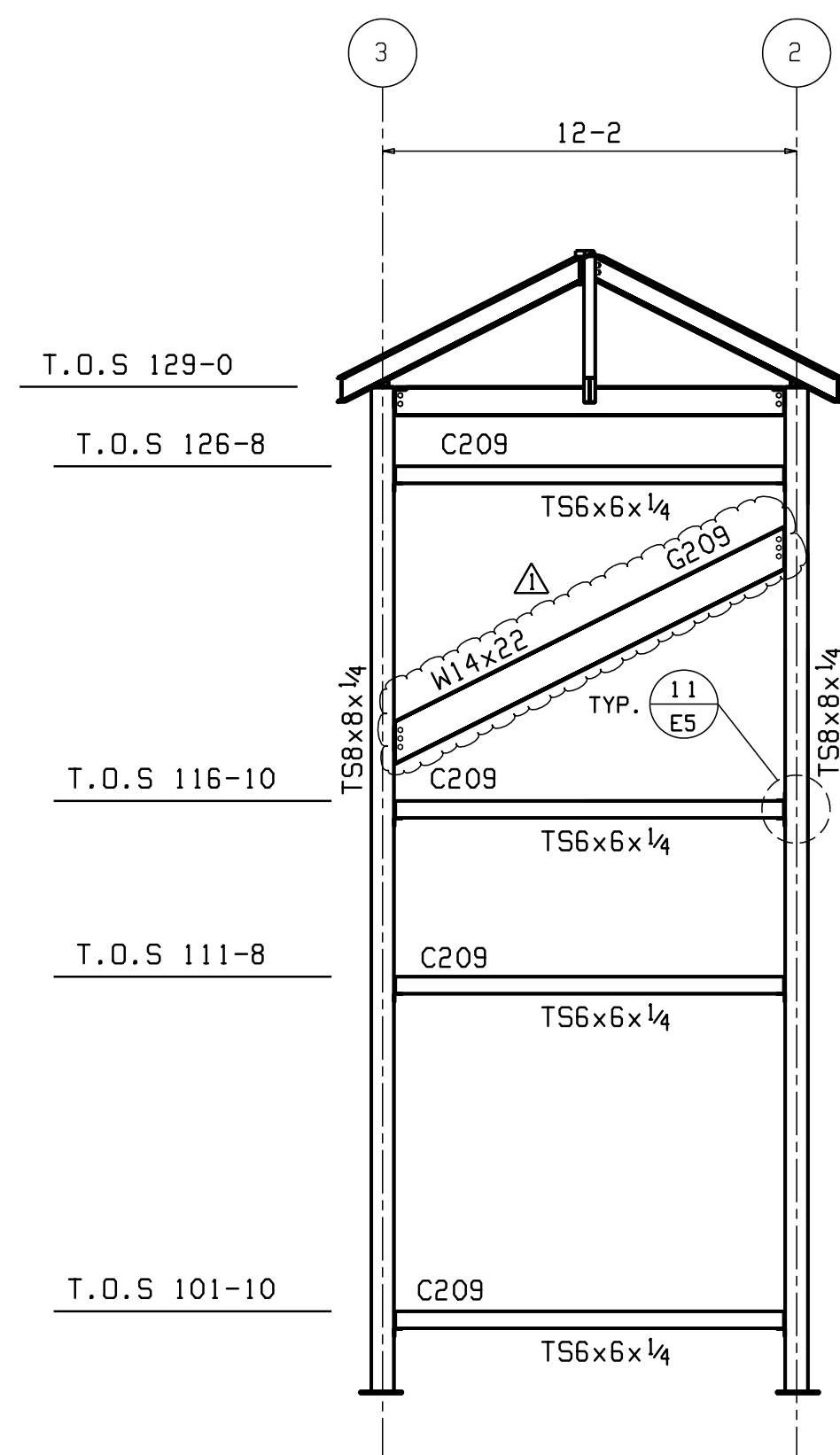
6  
E5  
TYP. SECTION  
REF: 3/S1



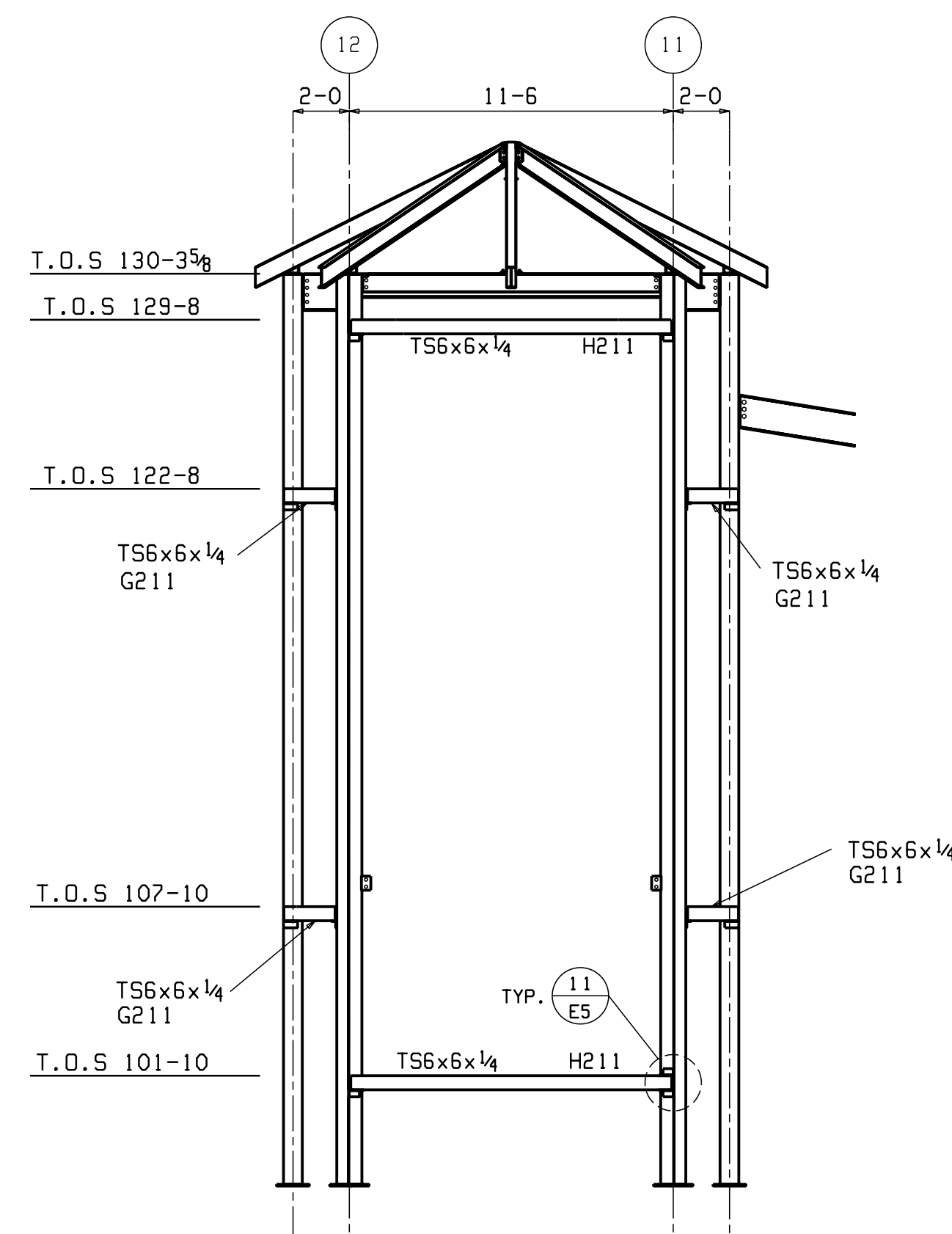
7  
E5  
TYP. SECTION  
REF: 3/S1



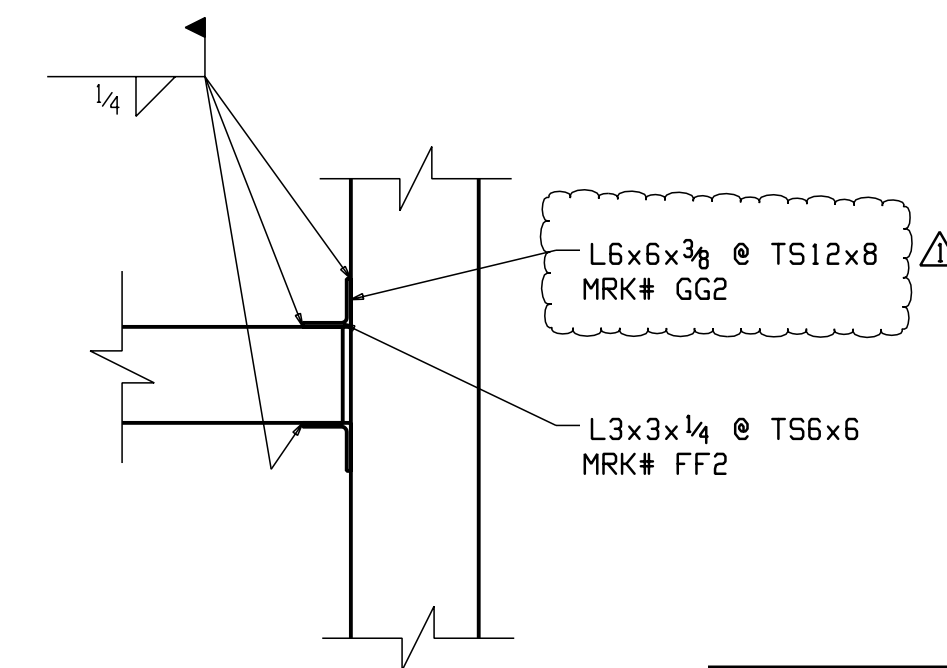
8  
E5  
ELEVATION AT GRID LINE B  
REF: 1/S5



9  
E5  
ELEVATION AT GRID LINE C  
REF: 2/S5 RFI



10  
E5  
ELEVATION  
REF: 21/S5



11  
E5  
TYP. SECTION  
REF: 1,13/S5

DATE	REV	DESCRIPTION
1-20-03	1	ADDED BEAM TO SECT. 9/E5 - ADDED PC. N

SUBJECT		BRACE FRAME PLACEMENT	
PROJECT			
LOCATION		LEE'S SUMMIT, MD	
CUSTOMER			
DESIGNED BY			
DESIGN/ERECTION DWG REF		S1, S5	
DRAWN BY	DATE	CHECKED BY	DATE
TJ	10-2-02	GEU	1-7-03
Sheet No. E5		Sale No. 0237	