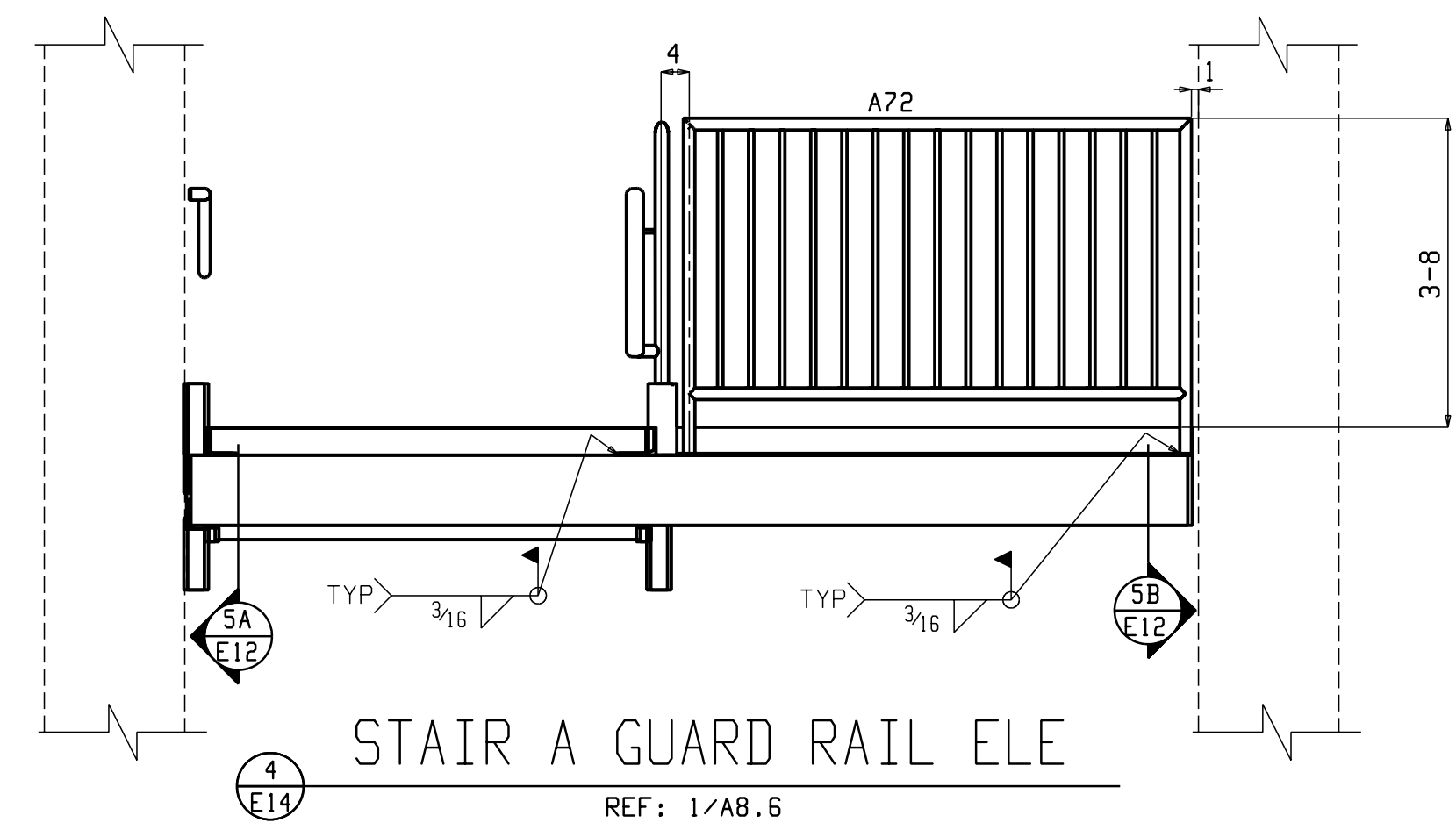
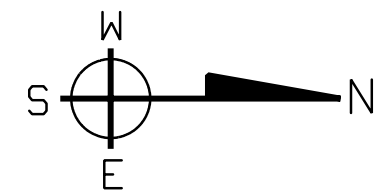
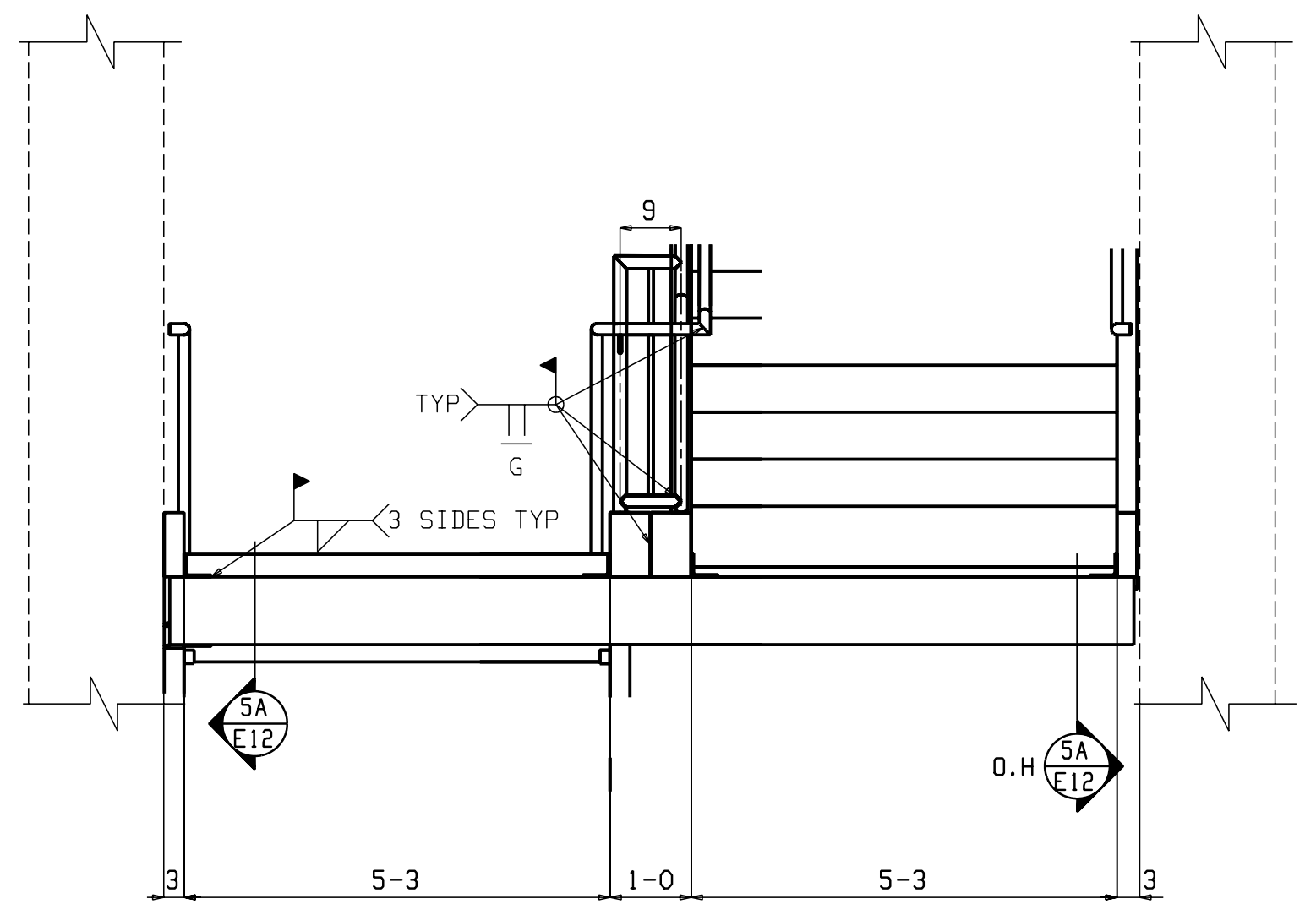


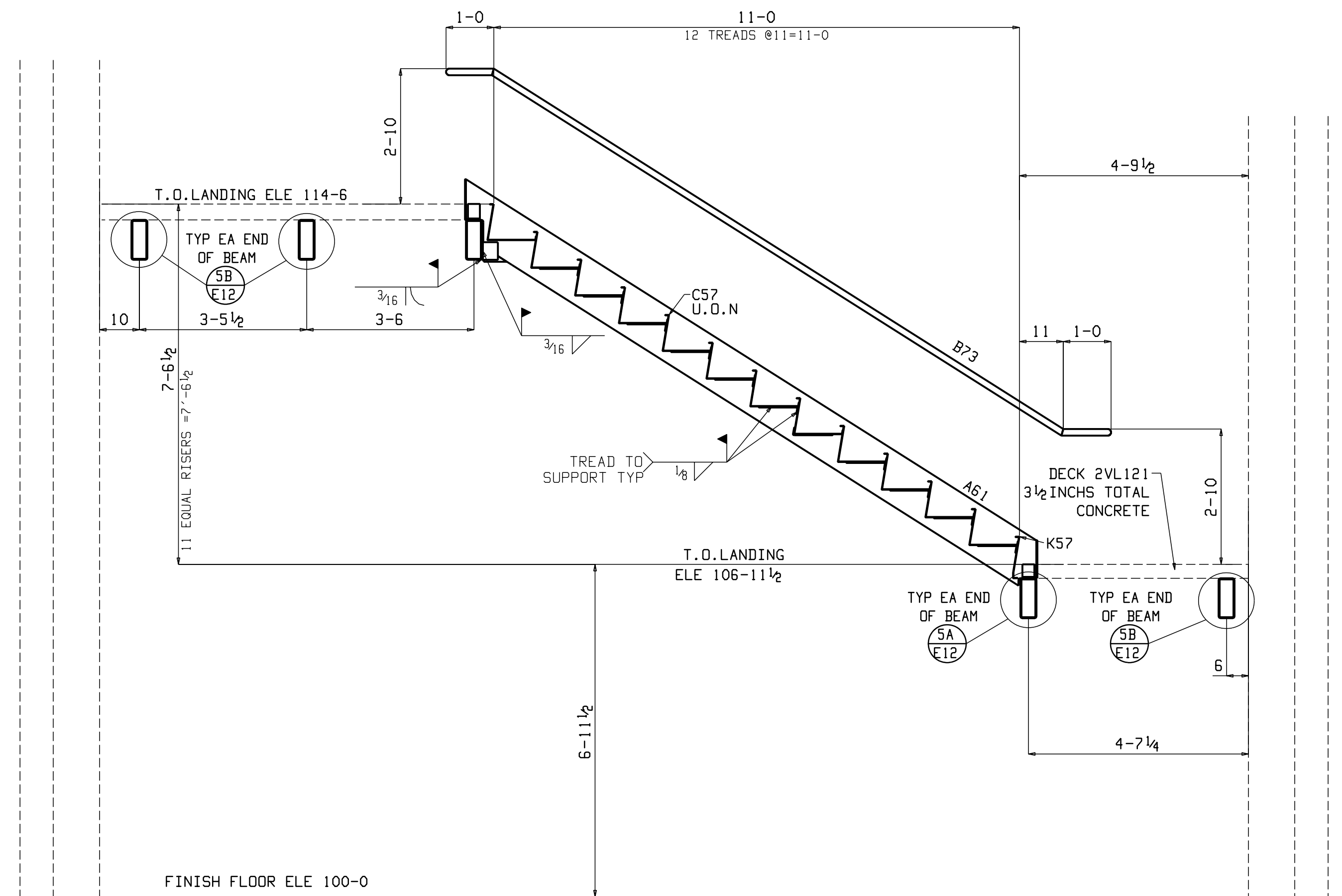
STAIR A PLAN
Top of Steel Elevation: 114-2 (U.N.)
REF: 1&2/A4.3



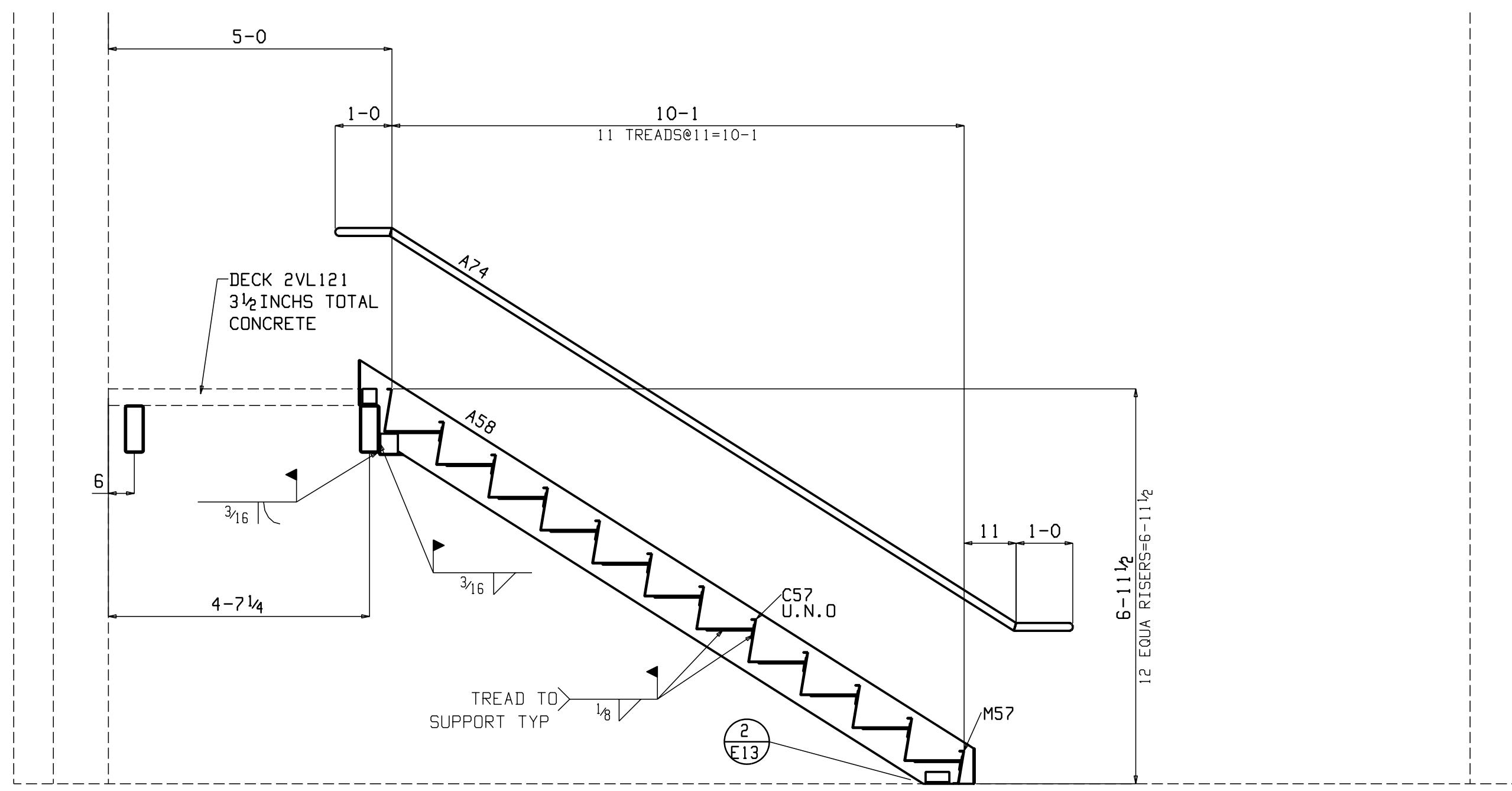
STAIR A GUARD RAIL ELE
REF: 1/AB.6



STAIR A ELE
REF: 1 E14



STAIR A SECTION
REF: 1/AB.6



STAIR A SECTION
REF: 1/AB.6

DATE	REV	DESCRIPTION

SUBJECT		HAND RAIL&STAIR PLACEMENT @ STAIR A	
PROJECT		PLATTE CITY, MD	
LOCATION		PLATTE CITY, MD	
CUSTOMER			
DESIGNED BY			
DESIGN/ERECTION DWG REF		A4.3, A8.7	
DRAWN BY	DATE	CHECKED BY	DATE
TRJ	12-5-04	JFS	6-24-04
Sheet No.	E14	Sale No.	0363